

PEDIMAT WITH ALUMINUM TAPERED ANGLE FRAME

INSERT STYLE:

INSERT COLOR:

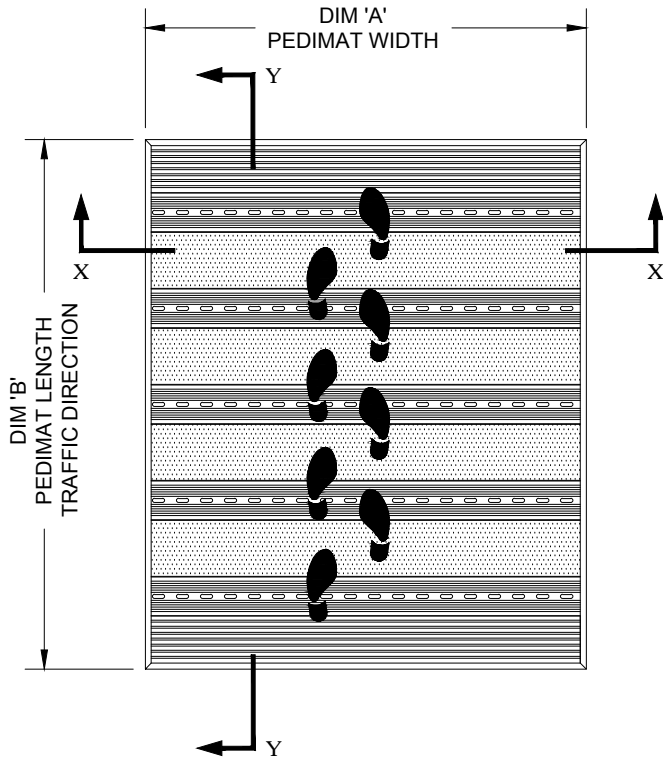
CATALOG NUMBER: M1

PART NUMBER:

NO.	REVISION	DATE	BY
NO.	F&F RELEASE	DATE	BY



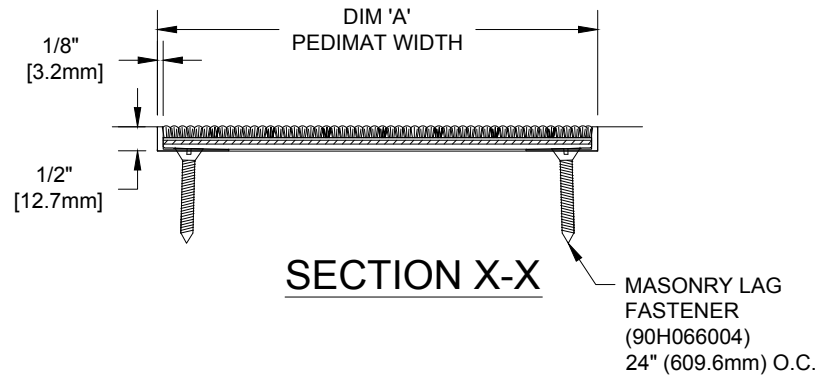
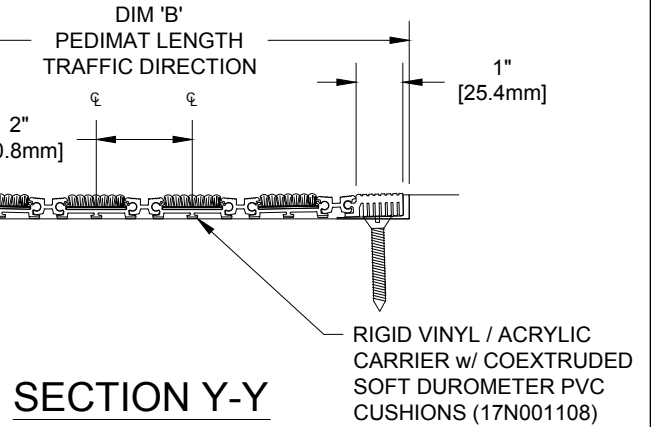
PEDIMAT INSERT STYLES



SQUARE END VINYL
 1" (25.4mm) WIDE (17V011XXX)
 2" (50.8mm) WIDE (17V012XXX)

ALUMINUM TAPERED
 ANGLE FRAME (16A051XXX)

EXTRUDED ALUMINUM
 CONNECTING RAIL (17A009XXX)



NOTES:

*ALL SURFACES IN CONTACT WITH MASONRY ARE TO RECEIVE A COAT OF ZINC CHROMATE PRIMER

*MAX. SINGLE GRID SIZE NOT TO EXCEED 12'-0" (3.66M) IN WIDTH (DIM "A") OR 100 SQUARE FEET

*PLEASE VERIFY TRAFFIC DIRECTION

*PEDIMAT SHALL BE ABLE TO SUPPORT A 350 LB. ROLLING LOAD. LARGER LOADING MAY BE ACCOMODATED.



PLEASE VERIFY ALL	QTY	MARK #	LOCATION	MODEL	DIM 'A' WIDTH	DIM 'B' LENGTH	FINISH	NOTES

PROJECT:		
LOCATION:		
CONTRACTOR:		
AGENT:		SHT:
DRG. BY:	DATE:	JOB NO.: