

5/8" GRIDLINE WITH LEVEL BASE FRAME AND SURFACE LOCK DOWNS

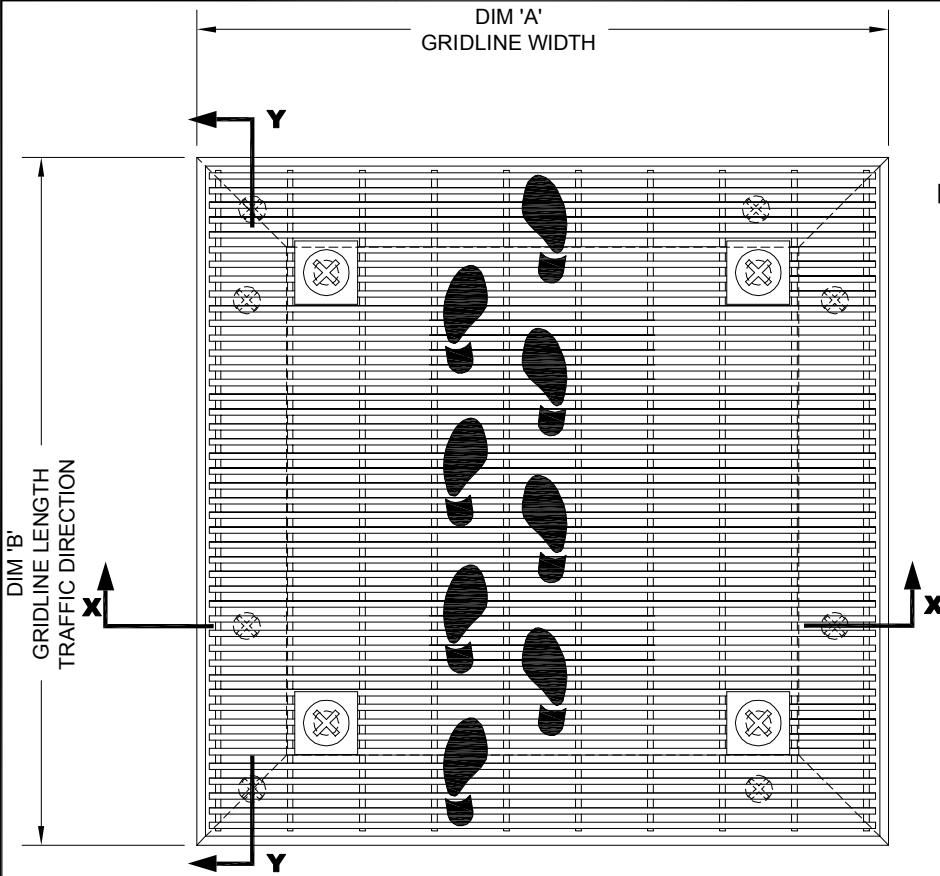
INSERT STYLE: N/A

INSERT COLOR: N/A

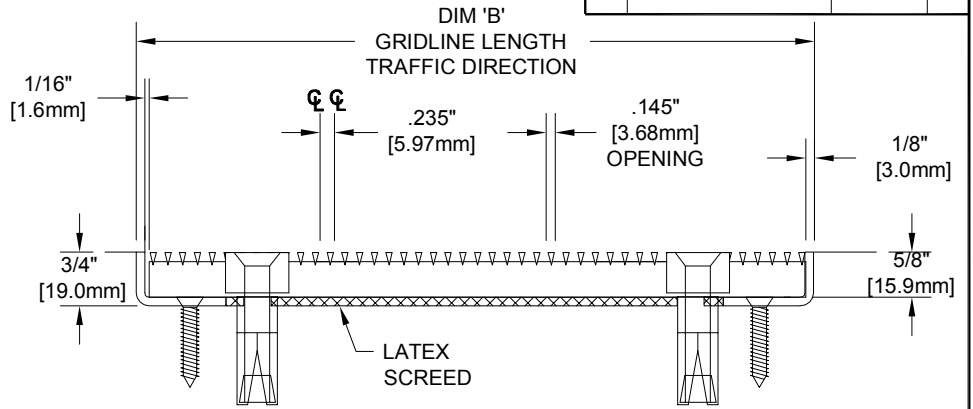
CATALOG NUMBER: G6

PART NUMBER:

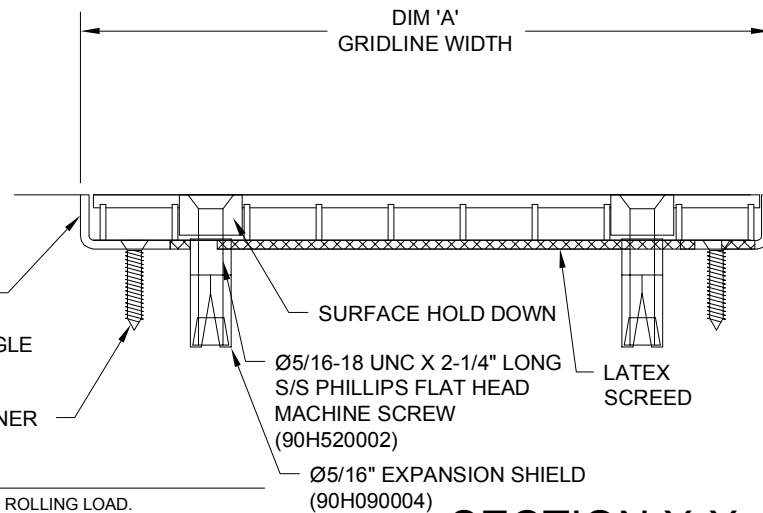
NO.	REVISION	DATE	BY
NO.	F&F RELEASE	DATE	BY



TYPICAL PLAN VIEW



SECTION Y-Y



SECTION X-X

LEVEL BASE FRAME  
1 1/4" X 3/4" X 1/8"  
STAINLESS STEEL ANGLE  
(16S001000)

MASONRY LAG FASTENER  
(90H066004)  
24" (609.6mm) O.C.

SURFACE HOLD DOWN

Ø5/16-18 UNC X 2-1/4" LONG  
S/S PHILLIPS FLAT HEAD  
MACHINE SCREW  
(90H520002)

LATEX  
SCREED

Ø5/16" EXPANSION SHIELD  
(90H090004)

NOTES:

\*MAX. SINGLE GRID SIZE NOT TO EXCEED 8'-0" [2.438M] IN WIDTH (DIM 'A') OR 4'-0" [1.22M] IN LENGTH (DIM 'B')

\*GRIDS SHALL BE ABLE TO SUPPORT A 500LB ROLLING LOAD.

\* SURFACE WIRE SPACING PROVIDES A 57.7% EFFECTIVE OPEN AREA FOR DIRT AND MOISTURE REMOVAL.

\*ALL SURFACE WIRES AND SUPPORT BARS ARE ELECTRONICALLY RESISTANCE WELDED TO ENSURE CORRECT WEIGHT BEARING PROPERTIES.



PLEASE VERIFY ALL	QTY	MARK #	LOCATION	MODEL	DIM 'A' WIDTH	DIM 'B' LENGTH	FRAME FINISH	REMARKS

PROJECT:		
LOCATION:		
CONTRACTOR:		
AGENT:		SHT:
DRG. BY:	DATE:	JOB NO.: